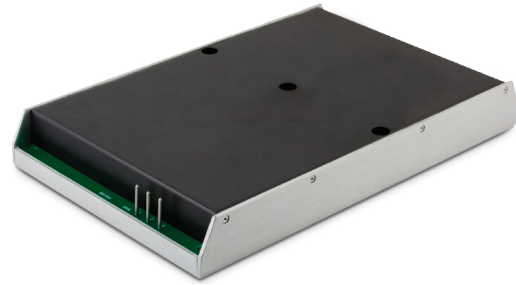


# AC/DC power supplies

## KWant Family KWant-L1200, 1200 W



### Basic specifications

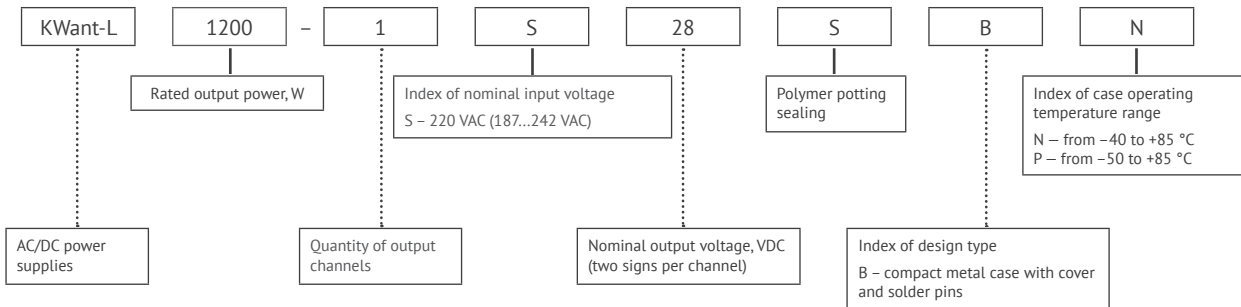
Power .....	1200 W
Input current .....	up to 80 A
Input voltage .....	220 (187...264) VAC
Output voltage .....	24 VDC, 28 VDC
Efficiency.....	up to 94 %
Case operating temperature.....	-40...+85 °C; -50...+85 °C
Dimensions .....	284.5×174.5×39.5 mm
Warranty .....	2 years

### Advantages

- ◀ Design to meet MIL-STD-810G and MIL-STD-461E
- ◀ Parallel and series operation
- ◀ Output voltage adjustment
- ◀ Conductive cooling



### Ordering information



### Input specifications\*

Parameter	Value
Input voltage range, VAC	S 187...242 (263...340 VDC)
Transient deviation range, VAC	S 176...264
Transient time	S 1 s.
Mains frequency range, Hz	S 47...440

### Output specifications\*

Parameter	Value
Nominal output voltage, VDC	24      28
Output voltage adjustment	10 %
Efficiency, %	80      94
Rated output current, A	50      42.86
Ripple and noise (peak-to-peak)	<2 %
Line and load regulation	max 2 %
Start-up time, ms	<2000
Parallel operation	redundancy, and boost of power
Remote on/off	Off at 3.5...4.5 VDC (15...30 mA) output «REMOTE OFF»
Maximum load capacity	11000 µF (Uout=28 VDC)

\* All specifications are valid for normal climatic conditions (ambient temp. +15...+35°C; relative humidity 45...80%; air pressure 8.6\*10<sup>4</sup>...10.6\*10<sup>4</sup> Pa), U<sub>in</sub>. nom., I<sub>out</sub>. nom., unless otherwise noted.

### Protections

Type of protection	
Short-circuit protection*	auto recovery
Overcurrent protection	$P_{max} < 1.8 P_{nom}$
Overload protection level*	$< 125\% U_{out, nom.}$
Overheat protection	triggers at case temperature $> 85^{\circ}C$

### Basic specifications\*\*

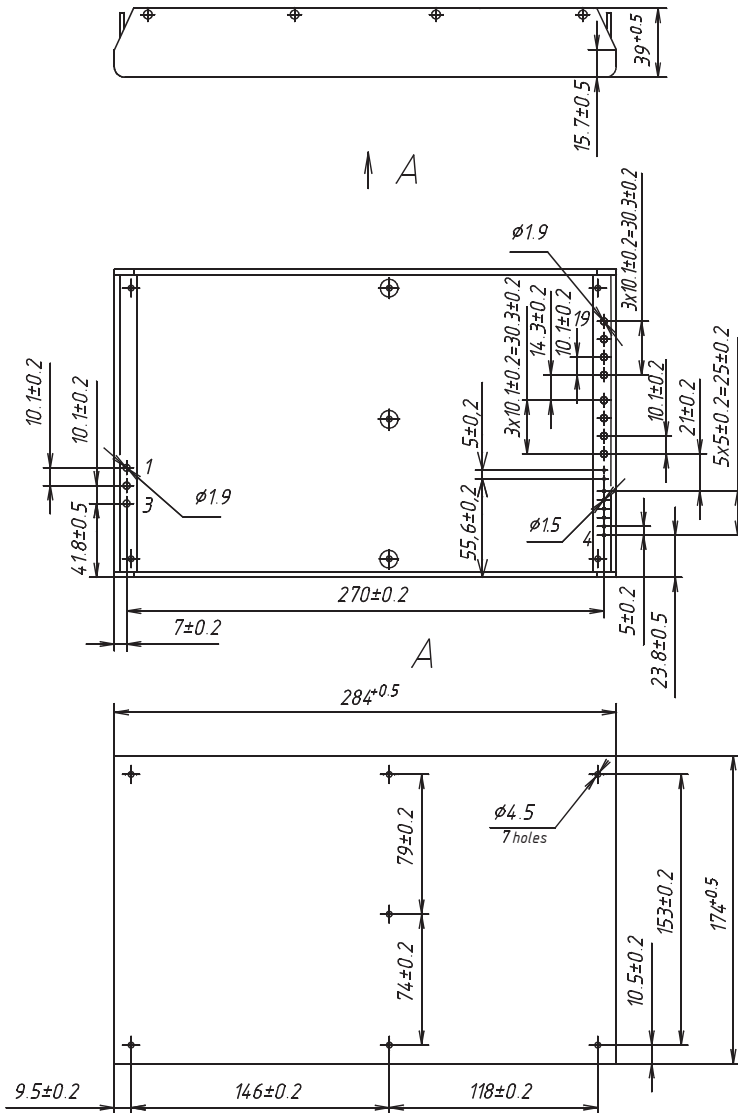
Parameter		Value
Type of connection		solder pins
Protection level		IP20
Case temperature, operating	«N»	$-40...+85^{\circ}C$
	«P»	$-50...+85^{\circ}C$
Case temperature, storage		$-50...+70^{\circ}C$
Humidity		98 % / $35^{\circ}C$
Isolation voltage	in /case	$\sim 1500$ VAC
	in /out	$\sim 1500$ VAC
	out /case, out/out	$\sim 500$ VAC
Isolation resistance @ 500 VDC		$\geq 20$ MOhm min
Cooling		conductive, forced air
Environmental influence standards		design to meet MIL-STD-810G
EMC standards		EN55022 (CISPR22); design to meet MIL-STD-461E
Typical MTBF		3 000 000 Hrs
Case material		metal
Dimensions, mm		284.5×174.5×39.5
Weight, kg		$< 4.5$
Warranty		2 year


\* Parameters are stated for the information purposes and could not be used at long term work, exceeding maximum output current, operating outside of a working temperatures range or when output voltage is over the range of adjustment.

\*\* All specifications are valid for normal climatic conditions,  $U_{in, nom.}$ ,  $I_{out, nom.}$ , unless otherwise noted.

## Dimensions

Single-channel design with solder pins



PIN #	1	2	3	4	5	6	7	8	9
SINGLE-CHANNEL		N	L	PARAL	+RS	-RS	+REMOTE OFF	-REMOTE OFF	TRIM
PIN #	10	11	12	13	14,15	16,17	18,19		
SINGLE-CHANNEL	-U FAN	+U FAN	+OUT	+OUT	-OUT	-OUT	+OUT		



KW Systems, LLC is the leading Russian developer and manufacturer of AC/DC converters and power supply systems for mission critical applications.