



CHASSIS MOUNT CHB200W-110S SERIES 200 WATT 4:1 INPUT ISOLATED DC-DC CONVERTERS

Features

- Efficiency to 90.5%
- Fixed Switching Frequency
- Regulated Outputs
- Remote On/Off
- Low No Load Power Consumption
- Fully Protected (OTP/OCP/OVP/UVLO)
- 3000Vdc I/O Isolation
- Operating Case Temperature -40 to +100°C
- UL 60950-1 2nd (Basic Insulation) Approval for DC Modules
- EN 50155 for EMC, Environmental and Characteristic
- Shock & Vibration EN 50155 (EN 61373) Compliant
- Fire & Smoke EN 45545-2 Compliant
- Build-In EMI Filter
- Chassis Mount, Baseplate Cooled
- Safety Meets IEC/EN/UL 62368-1



MODEL NUMBER	INPUT VOLTAGE	OUTPUT VOLTAGE	OUTPUT CURRENT		INPUT CURRENT		% EFF.	CAPACITOR LOAD MAX.
			MIN.	MAX.	NO LOAD	FULL LOAD		
CHB200W-110S05□-CMFC CHB200W-110S05□-CMFD	43-160 VDC	5 VDC	0 mA	40.0A	15 mA	2077 mA	87.5	40000uF
CHB200W-110S12□-CMFC CHB200W-110S12□-CMFD	43-160 VDC	12 VDC	0 mA	16.7A	15 mA	2035 mA	90.5	16700uF
CHB200W-110S24□-CMFC CHB200W-110S24□-CMFD	43-160 VDC	24 VDC	0 mA	8.3A	15 mA	2034 mA	89	8300uF
CHB200W-110S28□-CMFC CHB200W-110S28□-CMFD	43-160 VDC	28 VDC	0 mA	7.14A	15 mA	2042 mA	89	7140uF
CHB200W-110S48□-CMFC CHB200W-110S48□-CMFD	43-160 VDC	48 VDC	0 mA	4.2A	15 mA	2025 mA	90.5	3000uF

NOTE:

1. Nominal input voltage 110 VDC
2. □ = N or None
3. VR1 is used for output voltage adjustment.
4. Refer to application note for thermal resistance and derating information.
5. TVS is included for input surge voltage protection.
6. Recommend an external fuse for input reverse polarity protection (shunt diode is included inside).

PART NUMBER

Series	Nominal Input Voltage	Number of Outputs	Nominal Output Voltage	Remote On/Off Logic	Chassis Mount Type		Heatsink
CHB200W-	III	O	XX	L	-YYY	Z	+VWW
CHB200W	110 : 110 VDC	S : Single	05 : 5.0VDC 12 : 12VDC 24 : 24VDC 28 : 28VDC 48 : 48VDC	None : Positive N : Negative	Chassis Mount Built in Filter CMF :	C : Open Frame D : With Cover	None : Blank HS : Heatsink HD : Heatsink+Din Rail

Part Number Example:

CHB200W-110S12N-CMFC: Chassis Mount, 200W, 4:1 43-160Vdc Input, Single 12Vdc Output, Negative Logic, Open Frame



CHB200W-110S CMFC(D) Series

TECHNICAL SPECIFICATIONS

(All specifications are typical at nominal input, full load at 25°C unless otherwise noted.)

ABSOLUTE MAXIMUM RATINGS

PARAMETER	NOTES and CONDITIONS	Device	Min.	Typ.	Max.	Units
Input Voltage	Continuous	All	-0.3		160	V _{dc}
Input Surge Voltage	100ms max.	All			200	V _{dc}
Operating Case Temperature	At the center part of base plate	All	-40		100	°C
Storage Temperature		All	-40		105	°C

INPUT CHARACTERISTICS

PARAMETER	NOTES and CONDITIONS	Device	Min.	Typ.	Max.	Units
Operating Input Voltage		All	43	110	160	V _{dc}
Input Under Voltage Lockout						
Turn-On Voltage Threshold	Full load	All	40	42	43	V _{dc}
Turn-Off Voltage Threshold	Full load	All	37.5	39.5	40.5	V _{dc}
Lockout Hysteresis Voltage	Full load	All		2.5		V _{dc}
Maximum Input Current	V _{in} =43V, Full load	All		6		A
No-Load Input Current	V _{in} =110V, I _o =0A		See Model Number Table			mA

OUTPUT CHARACTERISTICS

PARAMETER	NOTES and CONDITIONS	Device	Min.	Typ.	Max.	Units
Voltage Set Point Accuracy	V _{in} =110V, Full load, T _c =25°C	All	-1.0		+1.0	%
Output Voltage Regulation						
Load Regulation	Full load to no load	5.0V _o Others			±0.5 ±0.2	%
Line Regulation	V _{in} =High line to low line, full load	All			±0.2	%
Temperature Coefficient	T _c =-40°C to 105°C	All			±0.02	%/°C
Output Voltage Ripple and Noise (5Hz to 20MHz bandwidth)						
Peak-to-Peak	Full load, 1uF ceramic capacitor	5.0V _o			120	mV
		12V _o			150	
		24V _o			200	
		28V _o			200	
		48V _o			300	
RMS.		5.0V _o			60	mV
		12V _o			80	
		24V _o			100	
		28V _o			100	
		48V _o			150	
Output Current Range	V _{in} = 43 to 160V		See Model Number Table			A
Over Current Protection	Hiccup mode. Auto recovery	All	110	125	160	%
Short Circuit Protection		All	Continuous, Auto Recovery			
External Load Capacitance	Full load (resistive)		See Model Number Table			uF
Output Voltage Trim Range	P _o ≤ max. rated power, I _o ≤ I _{o_max} .	All	-10		+10	%
Output Voltage Remote Sense Range	P _o ≤ max. rated power, I _o ≤ I _{o_max} . % of nominal V _o	All			+10	%
Over Voltage Protection	Limited voltage, % of nominal V _o	All	115	125	140	%

EFFICIENCY

PARAMETER	NOTES and CONDITIONS	Device	Min.	Typ.	Max.	Units
100% Load	V _{in} =110V		See Model Number Table			%



CHB200W-110S CMFC(D) Series

DYNAMIC CHARACTERISTICS

PARAMETER	NOTES and CONDITIONS	Device	Min.	Typ.	Max.	Units
Output Voltage Current Transient						
Error Band	75% to 100% of I_{o_max} . step load change $dI/dt=0.1A/us$ (within 1% V_{out} nominal)	All			±5	%
Recovery Time		All			250	us
Turn-On Delay and Rise Time						
Full load (Constant resistive load)						
Turn-On Delay Time, From On/Off Control	$V_{on/off}$ to 10% V_{o_set} , Remote on	All		30		ms
Turn-On Delay Time, From Input	$V_{in_min.}$ to 10% V_{o_set} , Power up	All		30		ms
Output Voltage Rise Time	10% V_{o_set} to 90% V_{o_set}	All		20		ms

ISOLATION CHARACTERISTICS

PARAMETER	NOTES and CONDITIONS	Device	Min.	Typ.	Max.	Units
Isolation Voltage (100% factory Hi-Pot tested @2sec.)	1 Minute; input to output	All			3000	V_{dc}
	1 Minute; input to case (base plate)				3000	V_{dc}
	1 Minute; output to case (base plate)				500	V_{ac}
Isolation Resistance	Input to output	All	100			MΩ
Isolation Capacitance	Input to output	5Vo		10000		pF
		Others		8000		
	Input to case (base plate)	All		11000		
		Output to case (base plate)	5Vo		44000	
		Others		22000		

FEATURE CHARACTERISTICS

PARAMETER	NOTES and CONDITIONS	Device	Min.	Typ.	Max.	Units
Switching Frequency	Pulse width modulation (PWM), Fixed	All	270	300	330	KHz
On/Off Control, Positive Remote On/Off Logic, Refer to -Vin Pin						
Logic Low (Module Off)	$V_{on/off}$ at $I_{on/off}=1.0mA$	All	0		1.2	V
Logic High (Module On)	$V_{on/off}$ at $I_{on/off}=0.0uA$, Pin open=on	All	3.5		160	V
On/Off Control, Negative Remote On/Off Logic, Refer to -Vin Pin						
Logic High (Module Off)	$V_{on/off}$ at $I_{on/off}=0.0uA$, Pin open=off	All	3.5		160	V
Logic Low (Module On)	$V_{on/off}$ at $I_{on/off}=1.0mA$	All	0		1.2	V
On/Off Current (for both remote on/off logic)	$I_{on/off}$ at $V_{on/off}=0V$	All		0.3	1	mA
Leakage Current (for both remote on/off logic)	Logic high, $V_{on/off}=15V$	All			30	uA
Off Converter Input Current	Shutdown input idle current	All		5	10	mA
Over Temperature Shutdown	Temperature at the center part of base plate, non-latching	All		110		°C
Over Temperature Recovery		All		100		°C

GENERAL SPECIFICATIONS

PARAMETER	NOTES and CONDITIONS	Device	Min.	Typ.	Max.	Units
MTBF	$I_o=100\%$ of $I_{o_max.}$; MIL-HDBK - 217F_Notice 1, GB, 25°C	110S05		450		K hours
		110S12		514		
		110S24		557		
		110S28		529		
		110S48		662		
Weight		-CMFC		380		grams
		-CMFD		435		
		-CMFD+HS		877		
		-CMFD+HD		899		



CHB200W-110S CMFC(D) Series

GENERAL SPECIFICATIONS

Base Plate Material	Aluminum		
Potting Material	UL 94V-0 (DC Module)		
Shock/Vibration	EN 50155 (EN 61373) Compliant		
Humidity	95% RH max. Non Condensing		
Altitude	5000m Operating Altitude, 12000m Transport Altitude		
Thermal Shock	MIL-STD-810F		
Fire & Smoke	EN 45545-2 Compliant		
EMI	EN 50155 Compliant (with external output filter)		Class A
ESD	EN 61000-4-2	Level 3: Air $\pm 8kV$, Contact $\pm 6kV$	Perf. Criteria A
Radiated immunity	EN 61000-4-3	Level 3: 80~1000MHz, 20V/m	Perf. Criteria A
Fast Transient	EN 61000-4-4	Level 3: On power input port, $\pm 2kV$	Perf. Criteria A
Surge	EN 61000-4-5	Level 4: Line to earth, $\pm 4kV$, Line to line, $\pm 2kV$	Perf. Criteria A
Conducted immunity	EN 61000-4-6	Level 3: 0.15~80MHz, 10V	Perf. Criteria A
Interruptions of Voltage Supply	EN 50155	Class S3: 20ms with external hold up circuit	Perf. Criteria A
Supply Change Over	EN 50155	Class C2: 30ms with external hold up circuit	Perf. Criteria A
Application Note Link	CHB200W-110S CMFC(D) Series App Notes		
Packaging Information Link	Packaging Information		

Immunity to Environmental Conditions

Phenomenon	EN50155; 2017 Reference Clause(s)	Reference Standard	Test Conditions	Result
Low Temperature Start-up test	13.4.4	EN 60068-2-1	Class OT6 Temperature: -40°C Duration: 2 hrs	Pass
Dry Heat Test	13.4.5	EN 60068-2-2	Class OT6 & ST0 Temperature: 85°C Duration: 6 hrs	Pass
Low Temperature Storage Test	13.4.6	EN 60068-2-1	Temperature: -40°C Duration: 16 hrs	Pass
Cyclic Damp Heat Test	13.4.7	EN 60068-2-30	Temperature: 25°C-55°C Humidity: 90% RH Duration: 48 hrs	Pass
Random Vibration Test	13.4.11	EN 61373	Temperature: 25°C \pm 10°C Humidity: 50% \pm 25% RH Frequency range: 5 ~ 150 Hz Vertical: 1.01 m/s^2 Transverse: 1.01 m/s^2 Longitudinal: 1.01 m/s^2 Duration: 10 min / axis	Pass
Simulated Long Life Test at Increased Random Vibration Levels	13.4.11	EN 61373	Temperature: 25°C \pm 10°C Humidity: 50% \pm 25% RH Frequency range: 5 ~ 150 Hz Vertical: 5.72 m/s^2 Transverse: 5.72 m/s^2 Longitudinal: 5.72 m/s^2 Duration: 5 hrs / axis	Pass
Shock Test	13.4.11	EN 61373	Temperature: 25°C \pm 10°C Humidity: 50% \pm 25% RH Frequency range: 5 ~ 150 Hz \pm Vertical: 50 m/s^2 \pm Transverse: 50 m/s^2 \pm Longitudinal: 50 m/s^2 Duration: 30ms x18 (Each axis 3 shocks)	Pass



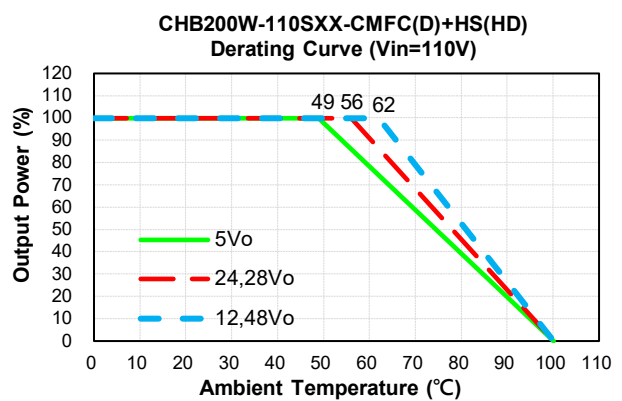
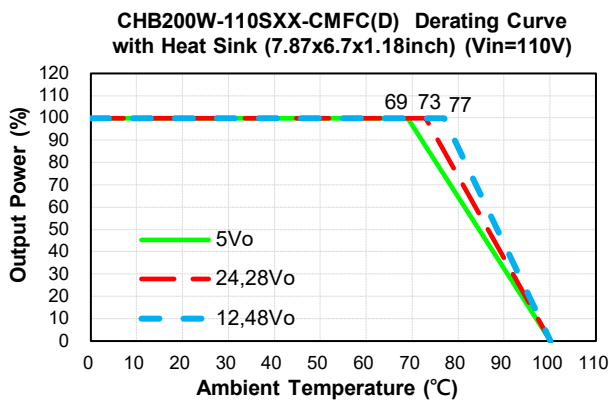
CHB200W-110S CMFC(D) Series

EN45545-2 Fire & Smoke Test Conditions

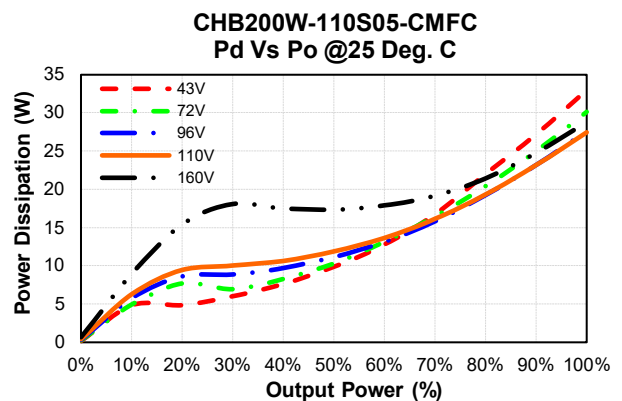
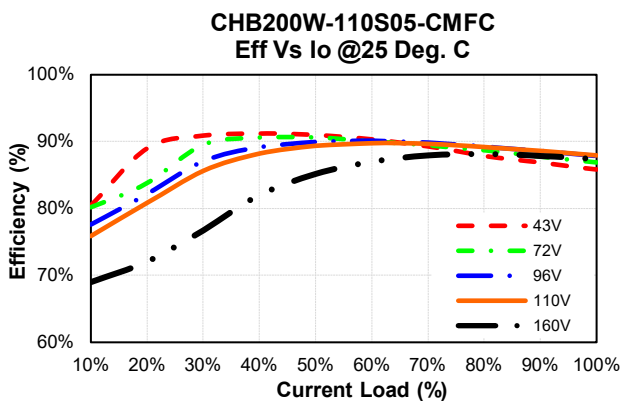
Item		Standard	Hazard Level
R22	Oxygen Index Test	EN 45545-2: 2013+A1:2015 EN ISO 4589-2: 2017	HL1, HL2, HL3
	Smoke Density Test	EN 45545-2: 2013+A1:2015 EN ISO 5659-2: 2017	HL1, HL2, HL3
	Smoke Toxicity Test	EN 45545-2: 2013+A1:2015 NF X70-100-1 and -2: 2006	HL1, HL2, HL3
R23	Oxygen Index Test	EN 45545-2: 2013+A1:2015 EN ISO 4589-2: 2017	HL1, HL2, HL3
	Smoke Density Test	EN 45545-2: 2013+A1:2015 EN ISO 5659-2: 2013	HL1, HL2, HL3
	Smoke Toxicity Test	EN 45545-2: 2013+A1:2015 NF X70-100-1 and -2: 2006	HL1, HL2, HL3
R24	Oxygen Index Test	EN45545-2: 2013 EN ISO 4589-2	HL1, HL2, HL3
R25	Glow - Wire Test	EN 45545-2+A1:2016 EN 60695-2-11:2014	HL1, HL2, HL3
R26	Vertical Flame Test	EN 45545-2: 2013 EN 60695-11-10: 2013	HL1, HL2, HL3

CHARACTERISTIC CURVE

Power Derating Curve



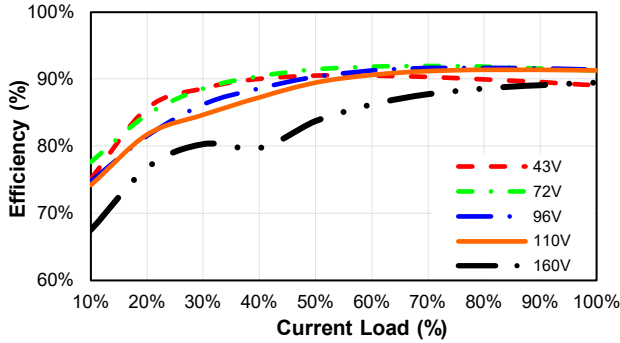
Performance Data



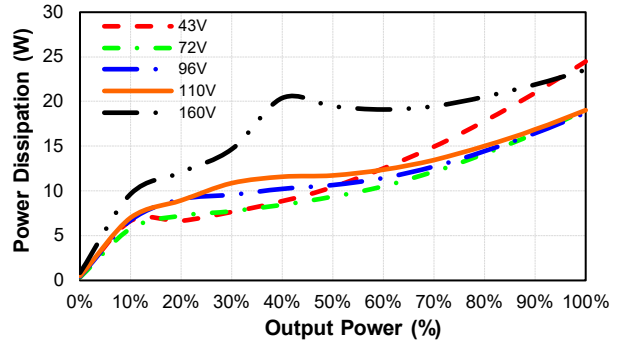


CHB200W-110S CMFC(D) Series

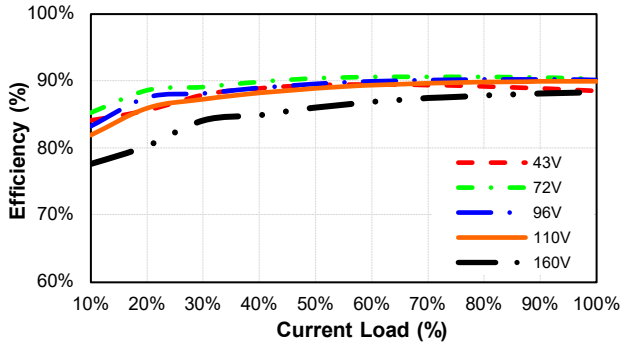
CHB200W-110S12-CMFC
Eff Vs Io @25 Deg. C



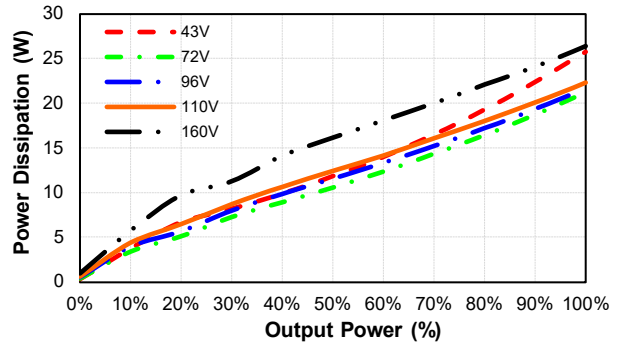
CHB200W-110S12-CMFC
Pd Vs Po @25 Deg. C



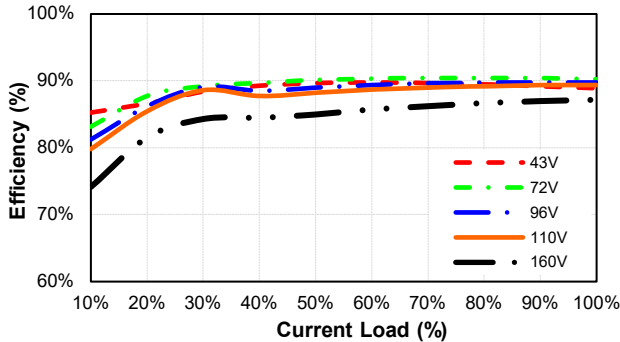
CHB200W-110S24-CMFC
Eff Vs Io @25 Deg. C



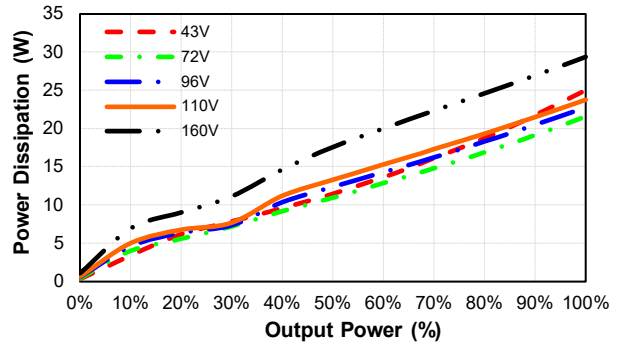
CHB200W-110S24-CMFC
Pd Vs Po @25 Deg. C



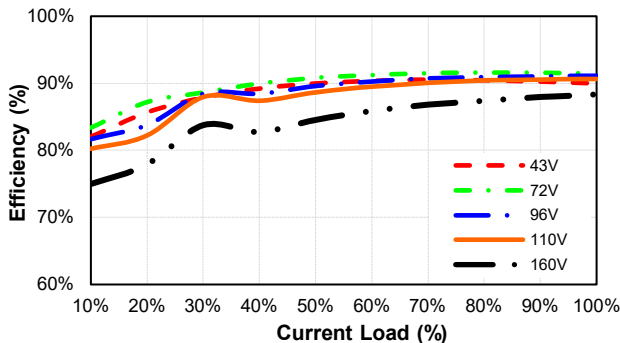
CHB200W-110S28-CMFC
Eff Vs Io @25 Deg. C



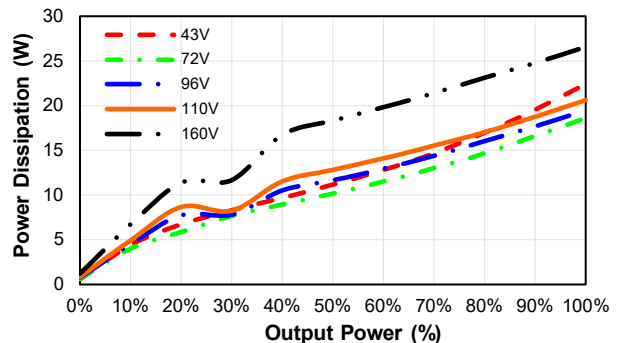
CHB200W-110S28-CMFC
Pd Vs Po @25 Deg. C



CHB200W-110S48-CMFC
Eff Vs Io @25 Deg. C



CHB200W-110S48-CMFC
Pd Vs Po @25 Deg. C

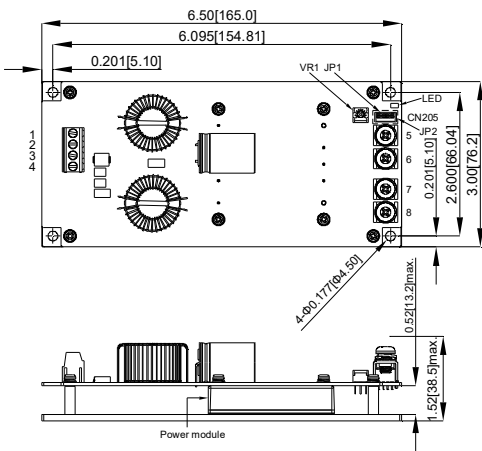




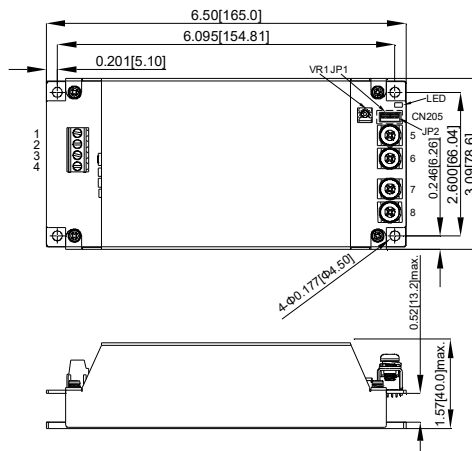
CHB200W-110S CMFC(D) Series

MECHANICAL SPECIFICATION

CMFC for 5Vout



CMFD with Cover for 5Vout



CN205: PIN CONNECTION

Pin	Function
1	+Sense
2	+V Output
3	-Sense
4	-V Output

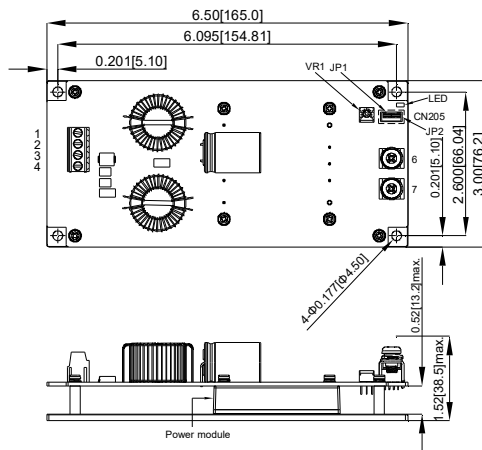
*JP1: Short PIN1 & PIN2
*JP2: Short PIN3 & PIN4

PIN CONNECTION

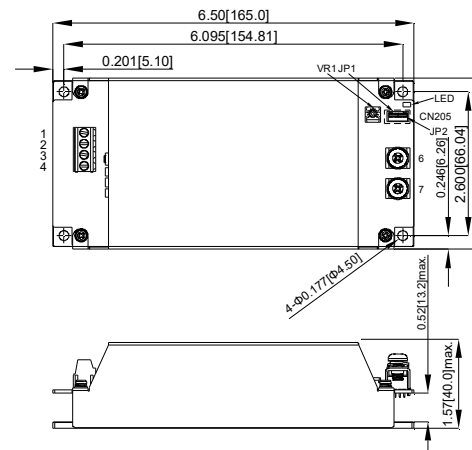
Pin	Function
1	Case
2	On/Off
3	-V Input
4	+V Input
5	-V Output
6	-V Output
7	+V Output
8	+V Output

All Dimensions In Inches (mm)
Tolerance Inches: X.XX= ±0.02, X.XXX= ±0.010
Millimeters: X.X= ±0.5, X.XX=±0.25

CMFC for Others



CMFD with Cover for Others



CN205: PIN CONNECTION

Pin	Function
1	+Sense
2	+V Output
3	-Sense
4	-V Output

*JP1: Short PIN1 & PIN2
*JP2: Short PIN3 & PIN4

PIN CONNECTION

Pin	Function
1	Case
2	On/Off
3	-V Input
4	+V Input
6	-V Output
7	+V Output

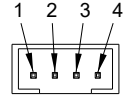
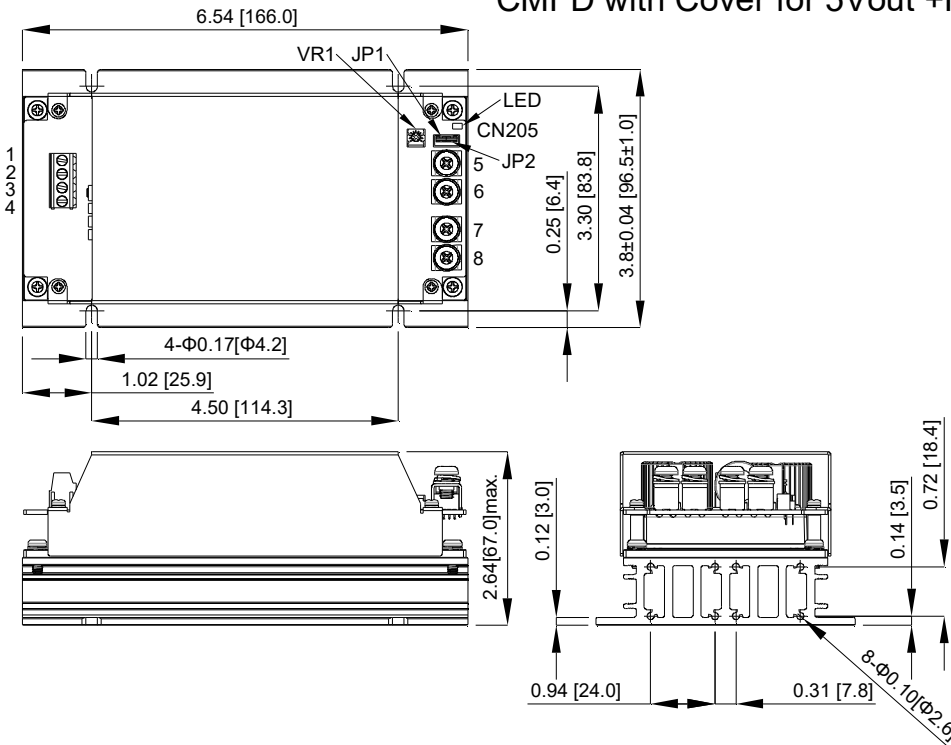
All Dimensions In Inches (mm)
Tolerance Inches: X.XX= ±0.02, X.XXX= ±0.010
Millimeters: X.X= ±0.5, X.XX=±0.25



CHB200W-110S CMFC(D) Series

MECHANICAL SPECIFICATION

CMFD with Cover for 5Vout +HS



CN205 : PIN CONNECTION

PIN	Function
1	+Sense
2	+V Output
3	-Sense
4	-V Output

* JP1 : Short PIN1 & PIN2

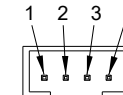
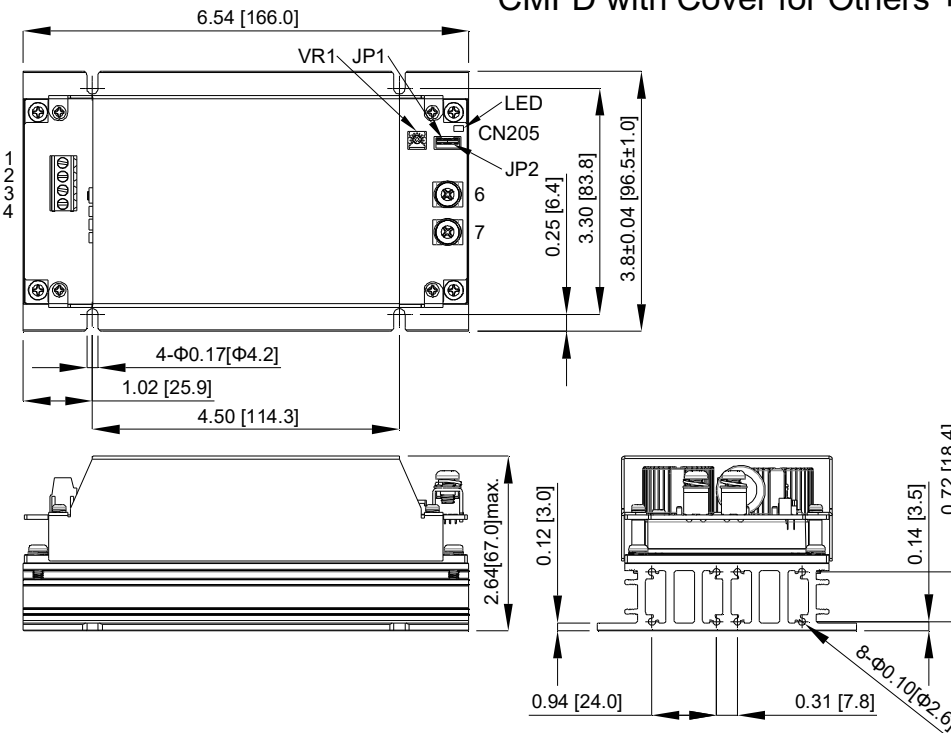
* JP2 : Short PIN3 & PIN4

PIN CONNECTION

PIN	Function
1	Case
2	On/Off
3	-V Input
4	+V Input
5	-V Output
6	-V Output
7	+V Output
8	+V Output

All Dimensions in Inches[mm]
Tolerance Inches: x.xx=±0.02, x.xxx=±0.010
Millimeters: x.x=±0.5, x.xx=±0.25

CMFD with Cover for Others +HS



CN205 : PIN CONNECTION

PIN	Function
1	+Sense
2	+V Output
3	-Sense
4	-V Output

* JP1 : Short PIN1 & PIN2

* JP2 : Short PIN3 & PIN4

PIN CONNECTION

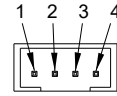
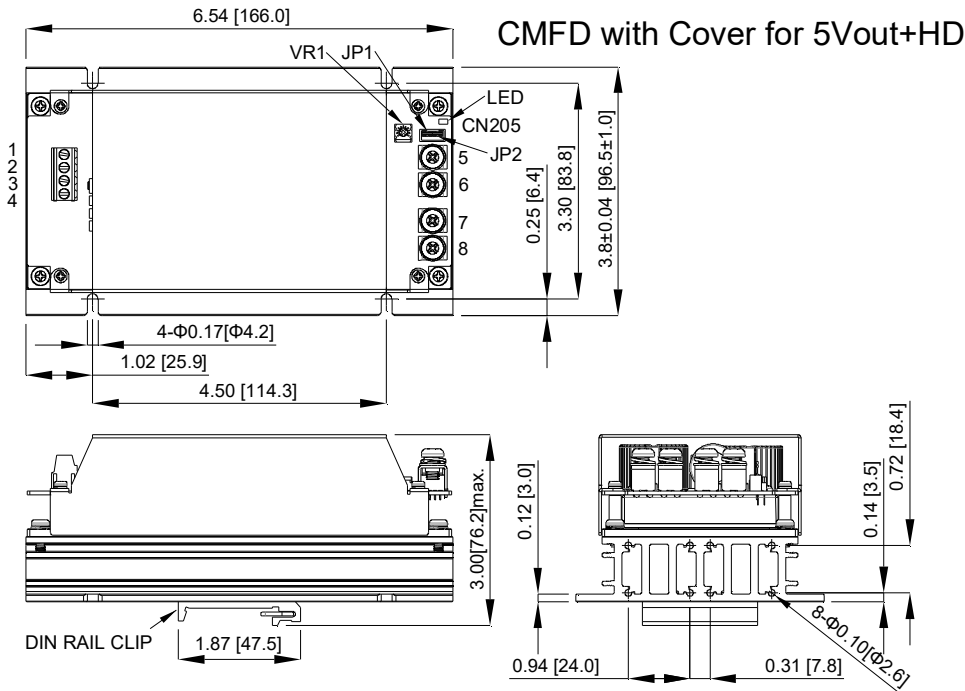
PIN	Function
1	Case
2	On/Off
3	-V Input
4	+V Input
6	-V Output
7	+V Output

All Dimensions in Inches[mm]
Tolerance Inches: x.xx=±0.02, x.xxx=±0.010
Millimeters: x.x=±0.5, x.xx=±0.25



CHB200W-110S CMFC(D) Series

MECHANICAL SPECIFICATION



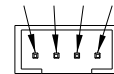
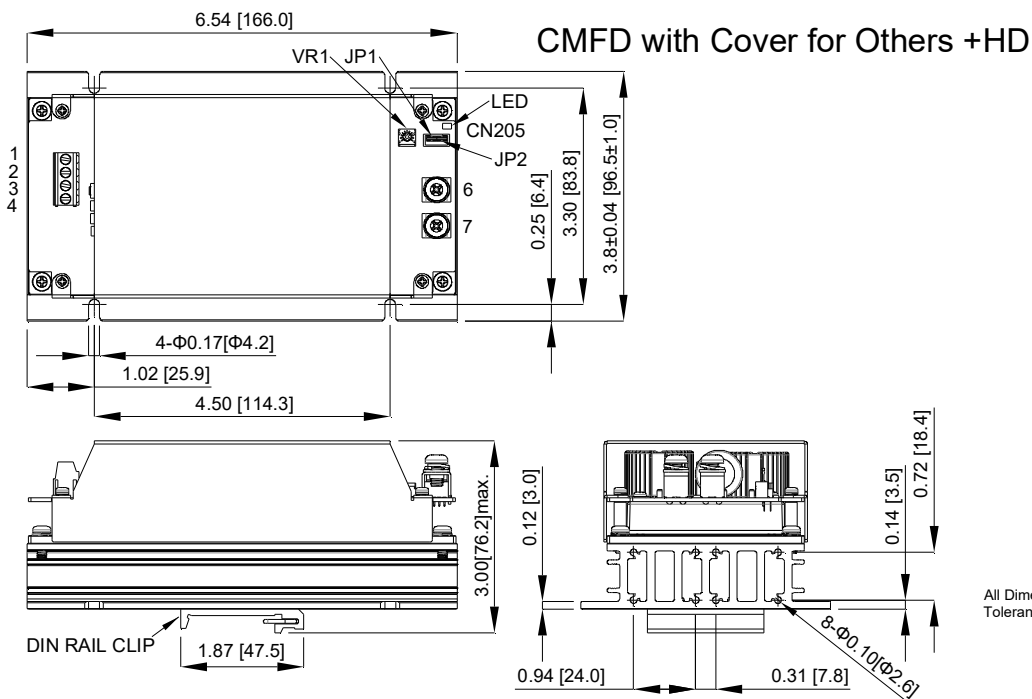
PIN	Function
1	+Sense
2	+V Output
3	-Sense
4	-V Output

* JP1 : Short PIN1 & PIN2
* JP2 : Short PIN3 & PIN4

PIN CONNECTION

PIN	Function
1	Case
2	On/Off
3	-V Input
4	+V Input
5	-V Output
6	-V Output
7	+V Output
8	+V Output

All Dimensions in Inches[mm]
Tolerance Inches: x.xx=±0.02, x.xxx=±0.010
Millimeters: x.x=±0.5, x.xx=±0.25



CN205 : PIN CONNECTION

PIN	Function
1	+Sense
2	+V Output
3	-Sense
4	-V Output

* JP1 : Short PIN1 & PIN2
* JP2 : Short PIN3 & PIN4

PIN CONNECTION

PIN	Function
1	Case
2	On/Off
3	-V Input
4	+V Input
6	-V Output
7	+V Output

All Dimensions in Inches[mm]
Tolerance Inches: x.xx=±0.02, x.xxx=±0.010
Millimeters: x.x=±0.5, x.xx=±0.25